



MMU-AP*4YH-E**

MMU-AP*4SH-E**

1-way Air Discharge Cassette Type

The perfect choice for hotels and reception areas

Silent sound design ensures the quiet required for the office.

Ideal for smaller rooms where one-way air distribution is required.

Able to blow air straight out.

Condensate drain pump included.

Long-life filters fitted as standard.

Fresh air intake is possible

Preparations/connection possible with a circle duct flange.

* The photo shows the MMU-AP***4SH Series.

Technical specifications

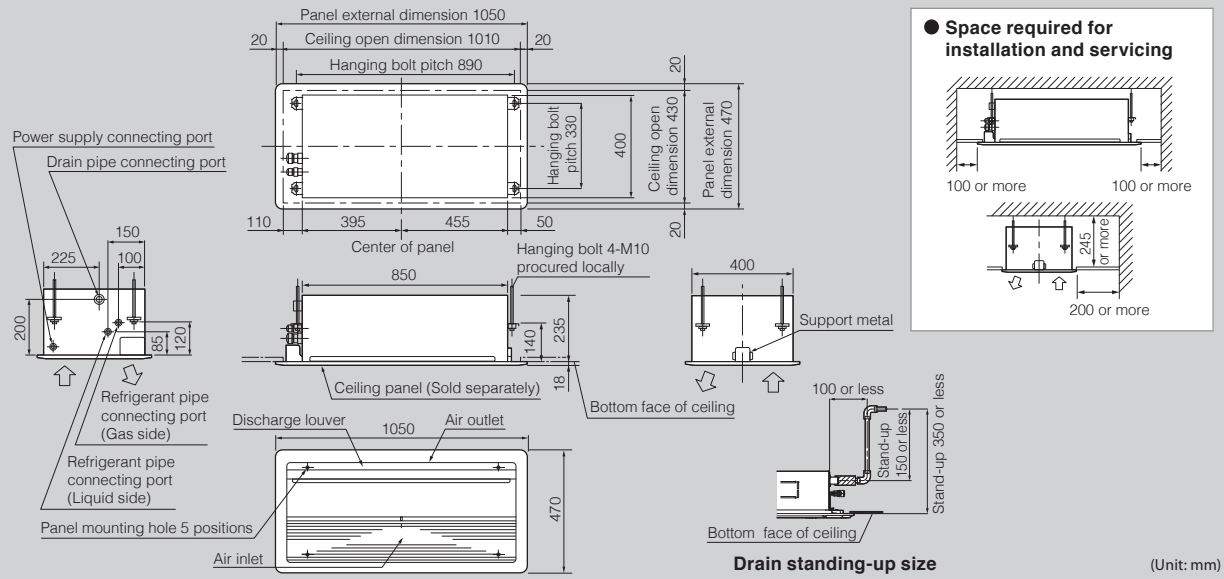
Model name	MMU-	AP0074YH-E	AP0094YH-E	AP0124YH-E	AP0154SH-E	AP0184SH-E	AP0244SH-E	
Cooling/Heating capacity*1	(kW)	2.2/2.5	2.8/3.2	3.6/4.0	4.5/5.0	5.6/6.3	7.1/8.0	
Electrical characteristics	Power requirements	1-phase 50Hz 230V (220–240V) / 1-phase 60Hz 220V (Separate power supply for indoor units required.)						
	Power consumption 50 Hz/60 Hz	(kW)	0.053/0.056		0.042/0.041	0.046/0.045	0.075/0.073	
Appearance (Ceiling panel)	Model	RBC-UY136PG			RBC-US21PGE			
External dimensions: Main unit (Ceiling panel)*	Height	(mm)	235 (18)*			200 (20)*		
	Width	(mm)	850 (1050)*			1000 (1230)*		
	Depth	(mm)	400 (470)*			710 (800)*		
Total weight: Main unit (Ceiling panel)*	(kg)	22 (3.5)*			21 (5.5)*		22 (5.5)*	
Fan unit	Standard air flow (High/Mid/Low)	(m ³ /h)	540/480/420		750/690/630	780/720/660	1140/960/810	
	Motor output	(W)	22			30		
Connecting pipe	Gas side	(mm)	ø9.5			ø12.7		ø15.9
	Liquid side	(mm)	ø6.4			ø9.5		
	Drain port (nominal dia.)		25 (Polyvinyl chloride tube)					
Sound pressure level*2 (High/Mid/Low)	(dB(A))	42/39/34			37/35/32	38/36/34	45/41/37	

* Figures in parentheses are for ceiling panels.

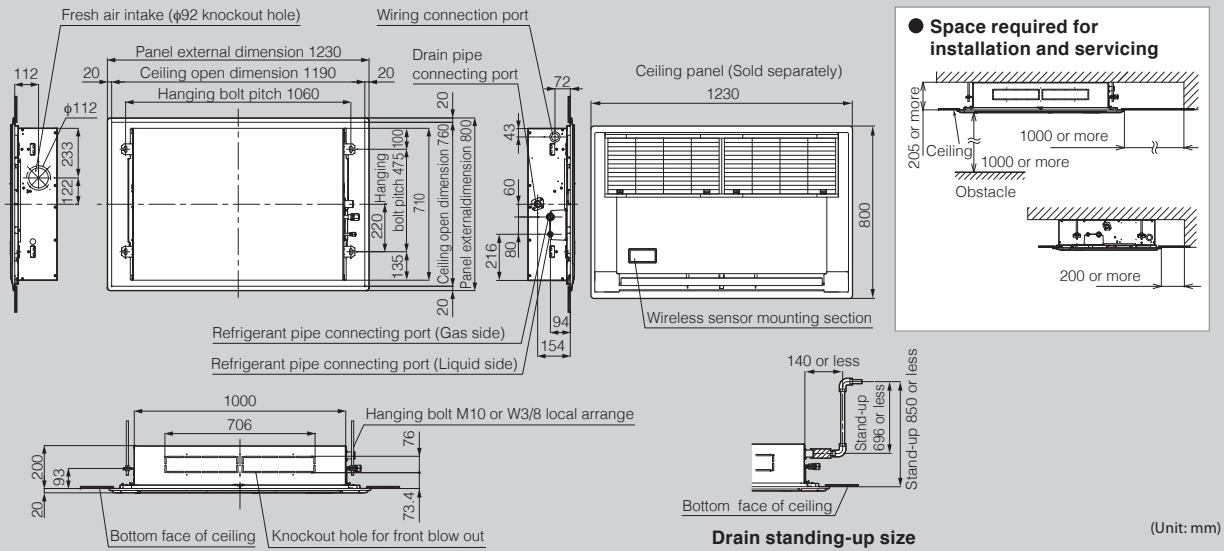
*1 This reference piping consists of 5 m of main piping and 2.5 m of branch piping connected at the same height level.

*2 The actual values in an external operating environment are generally higher than the indicated values due to the contribution from ambient noise.

MMU-AP0074YH-E to AP0124YH-E

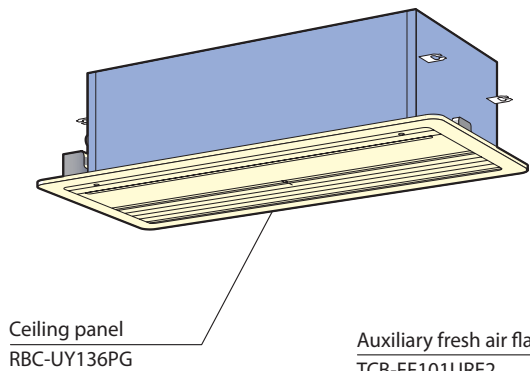


MMU-AP0154SH-E to AP0244SH-E

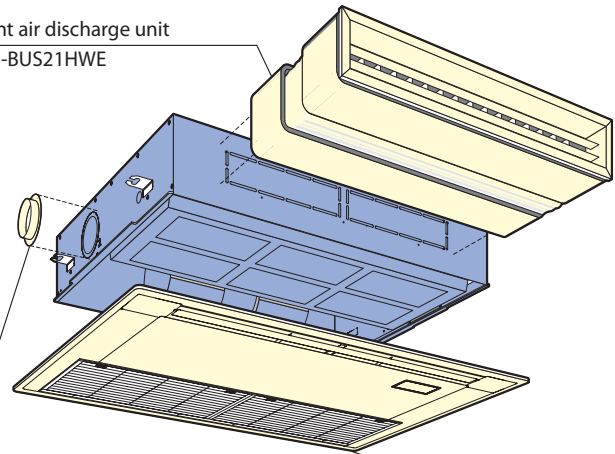


Options

AP0074YH-E/AP0094YH-E/AP0124YH-E



Front air discharge unit TCB-BUS21HWE



AP0154SH-E/AP0184SH-E/AP0244SH-E